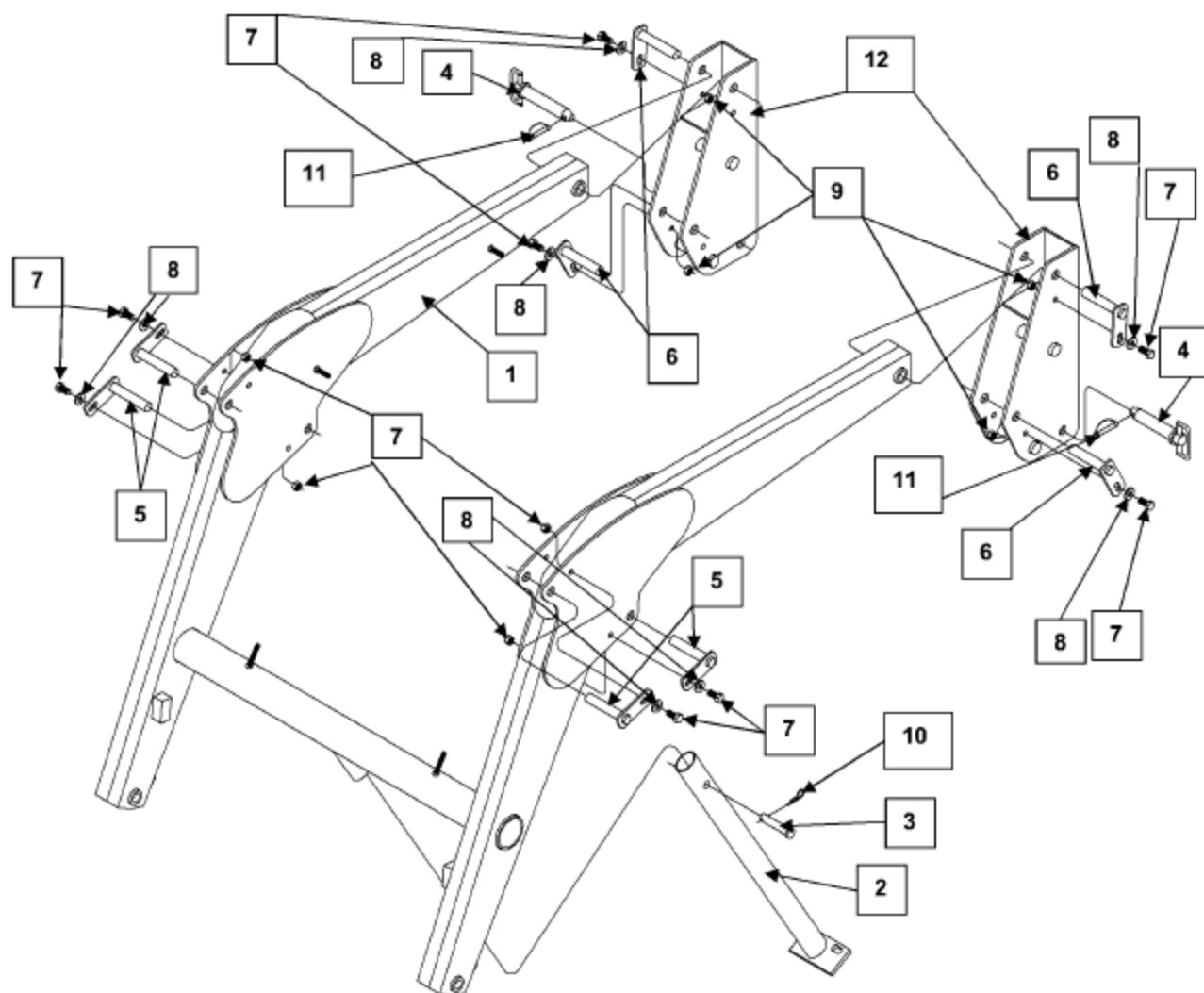


# LOADER ML105 MAHINDRA




**▲ WARNING**

1. Add recommended rear wheel ballast and/or rear counterweight for stability.
2. Move wheels to widest recommended setting to increase stability.
3. Move and turn tractor at low speeds.
4. In transport carry the load low.
5. Lower loader to the ground when parked.
6. Before servicing or adjusting equipment:
  - \* lower loader to the ground.
  - \* shut off engine.
7. Relieve hydraulic pressure before disconnecting oil lines.
8. Observe safety recommendations in Loader Operations Manual.

0595-3000

**▲ WARNING**



**Crushing Hazard**

Stay away from under lift arms and buckets!

1. Do not stand or work under a raised loader.
2. Support bucket and lift arms before working under loader.
3. Lower loader to the ground before leaving seat.

0595-3001

**▲ WARNING**

1. Read the operator's manual for complete operating instructions and safety information before operating the loader.
2. Be certain anyone operating the loader is aware of safe operating practices and potential hazards.
3. Operate the loader from the operator's seat only.
4. Do not lift or carry anyone on loader or work from bucket or attachment.
5. Do not walk or work under raised loader or bucket or attachment unless it is securely supported.
6. Avoid loose fill, rocks and holes, they can be dangerous for loader operation or movement.
7. Use extra caution when working on inclines.
8. Avoid overhead powerlines or obstacles when loader is raised.

0595-3004

1

3

2

4

5

6


**▲ DANGER**



Keep machine clear of overhead power lines to avoid death or serious injury.

0595-3002

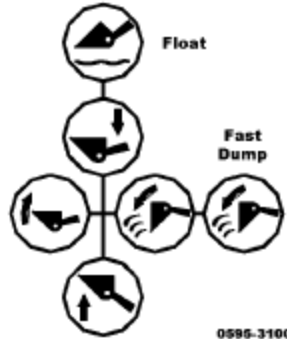
**▲ WARNING**



To prevent rollback onto operator - use special loader attachments for handling large objects such as stumps and large round bales.

Transport load as low as possible to avoid overturning.

0595-3003



Float

Fast Dump

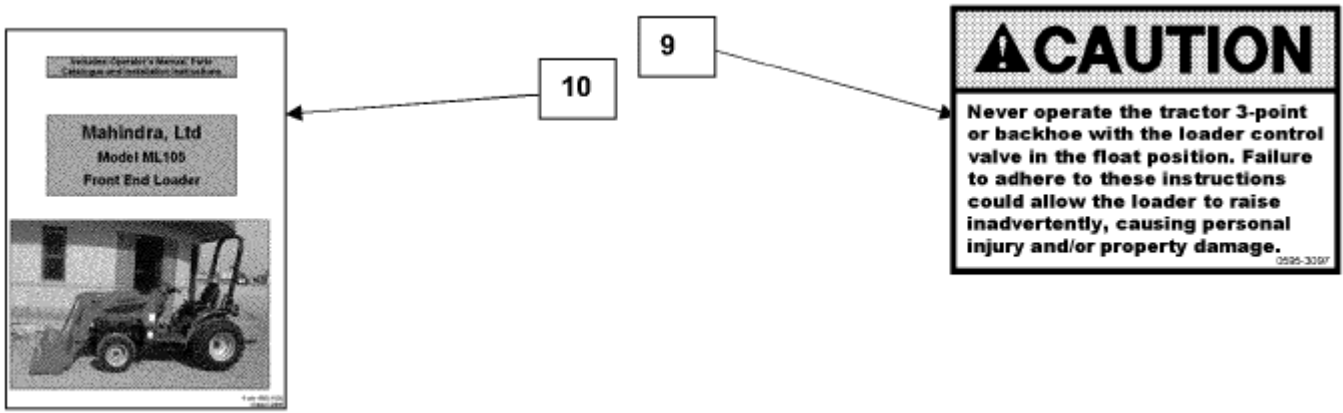
0595-3100

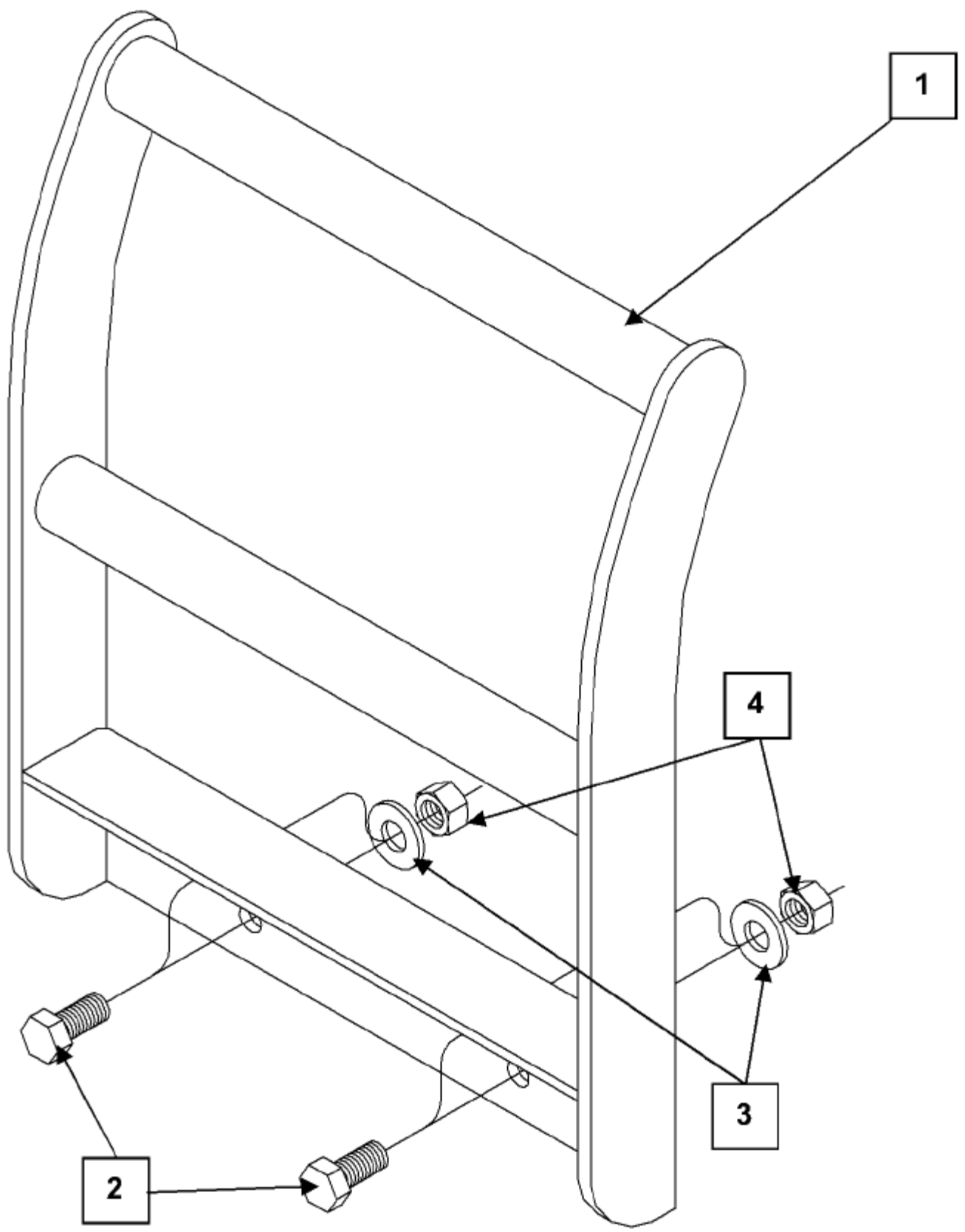
8

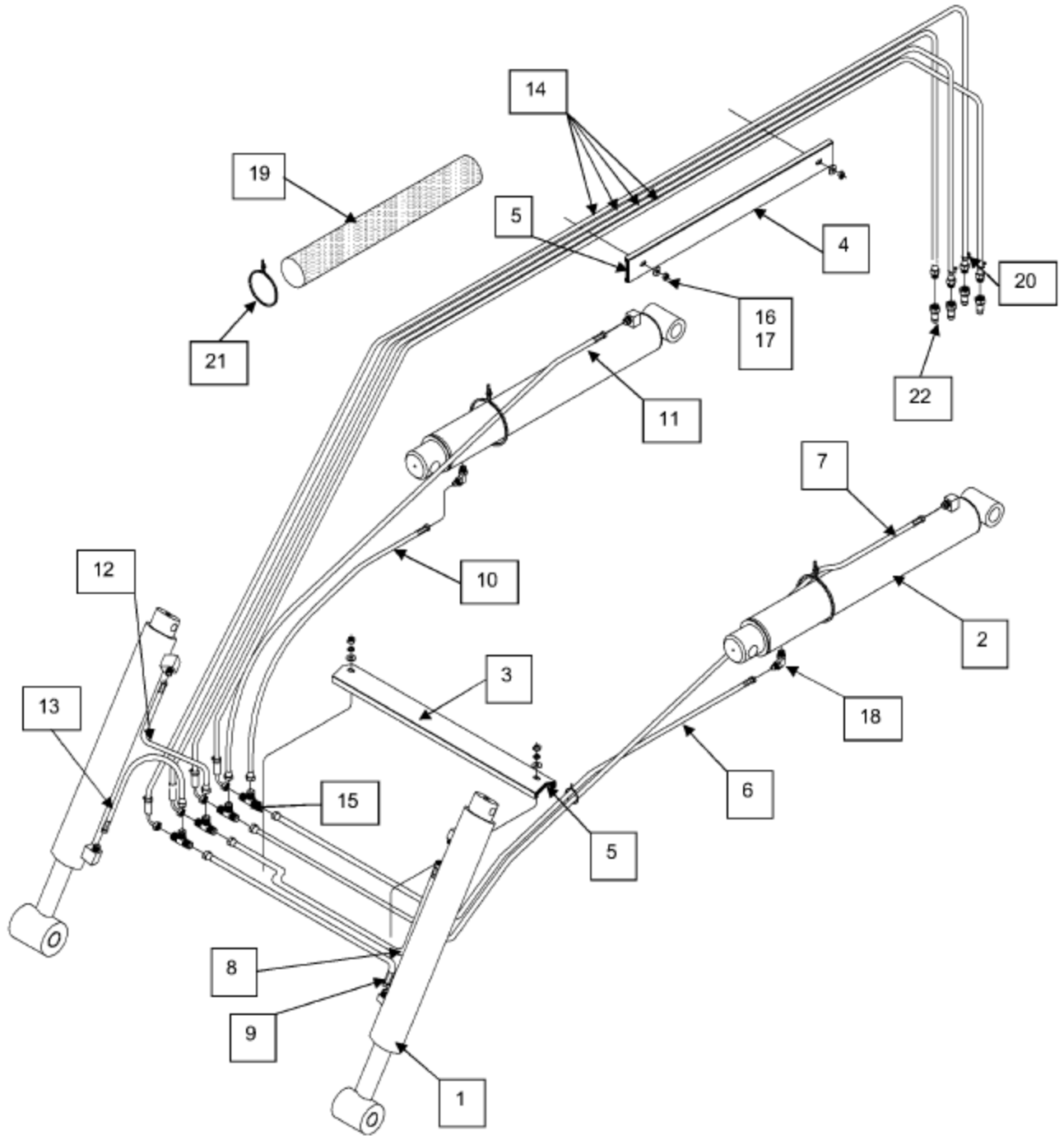
7

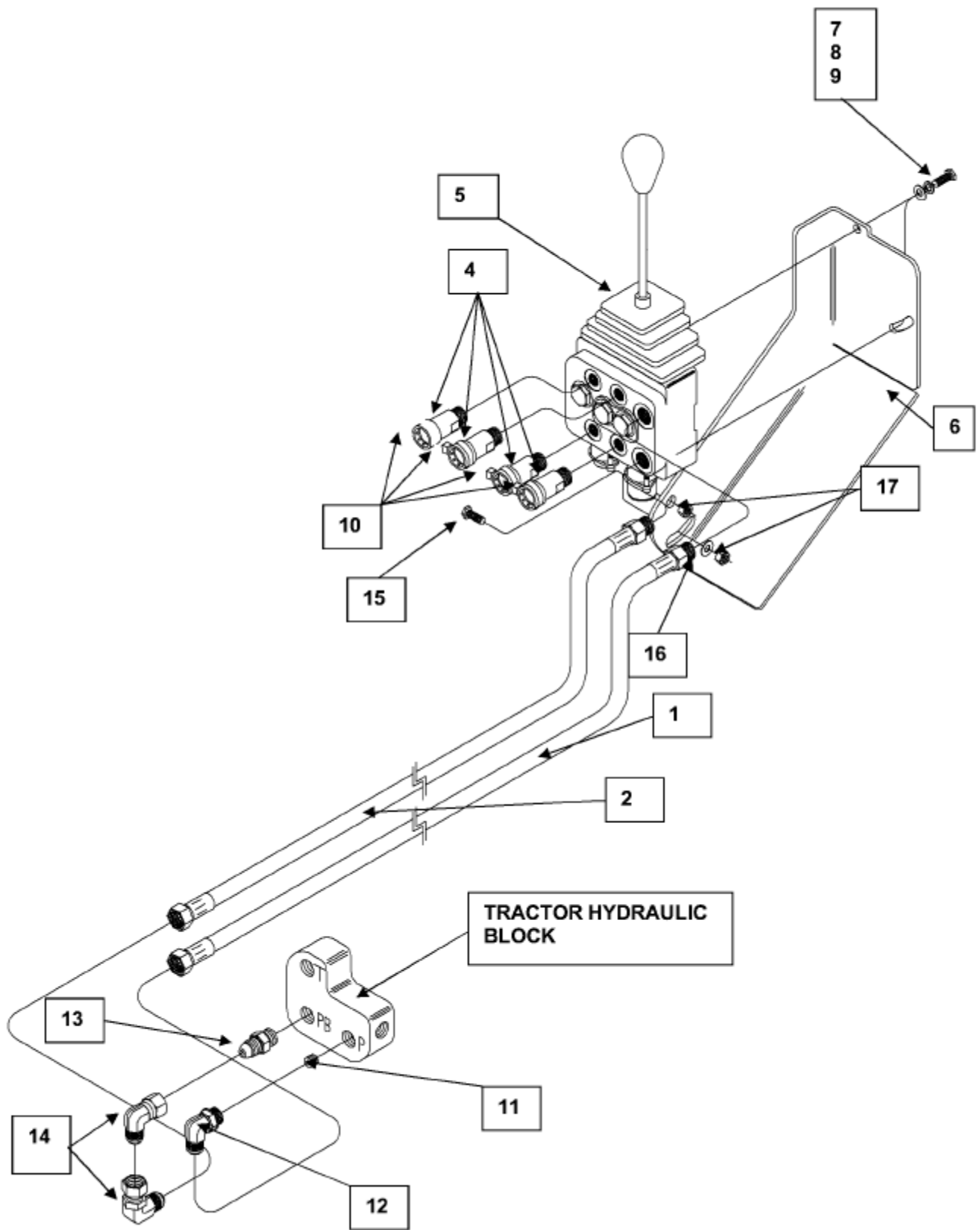
**ML105**

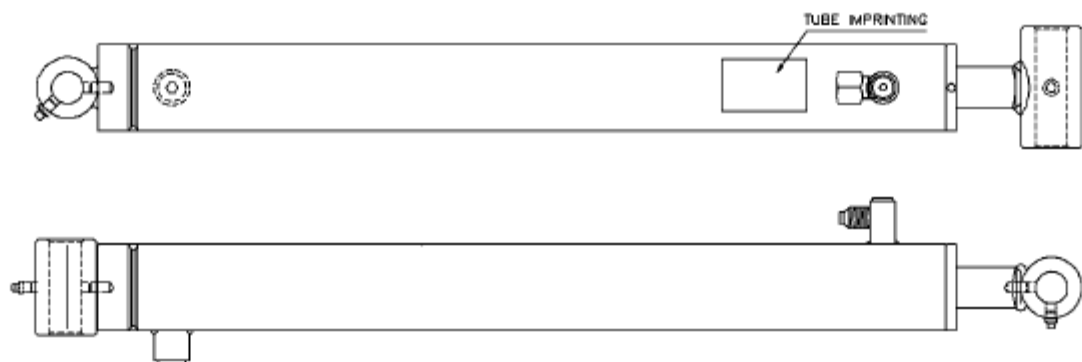
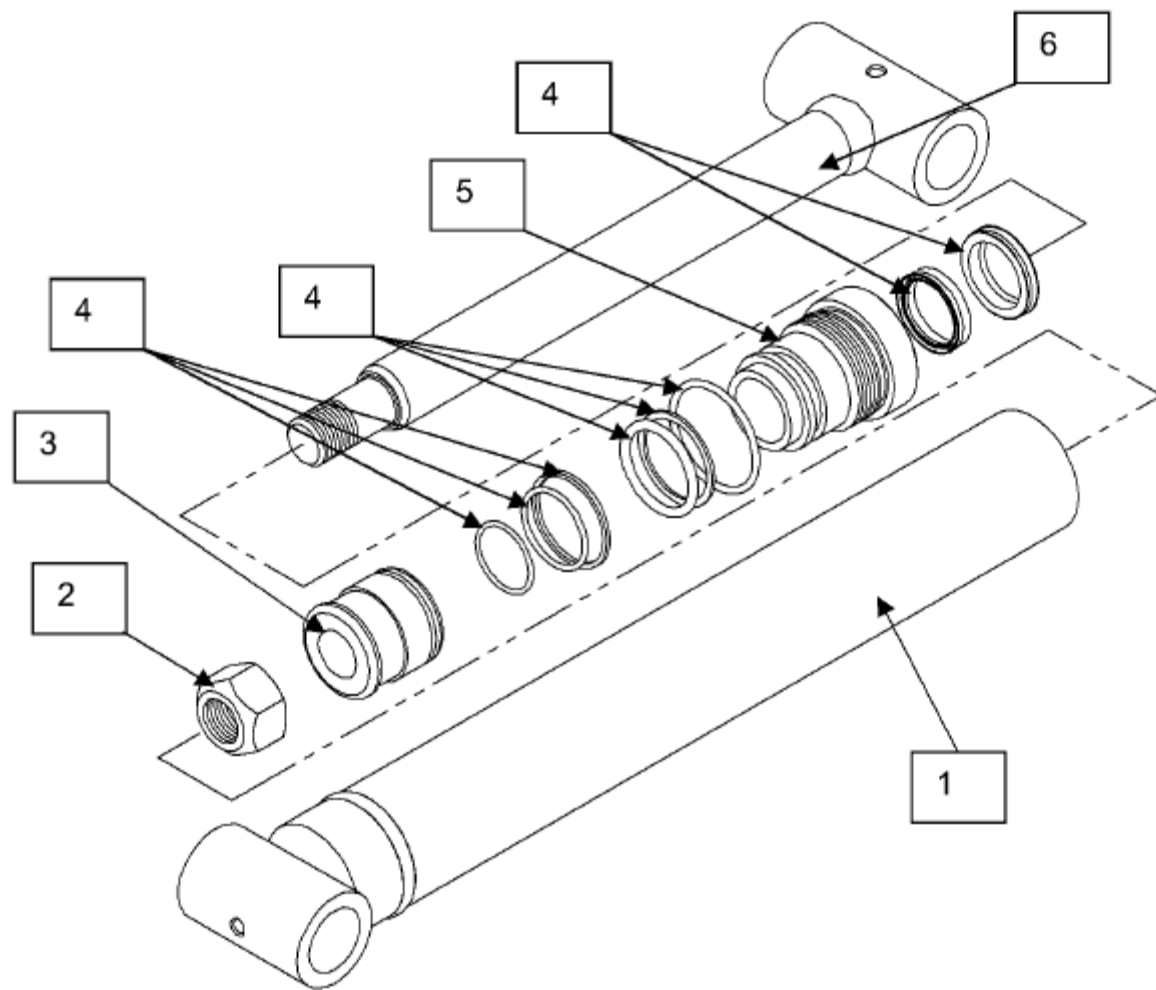
**Mahindra**



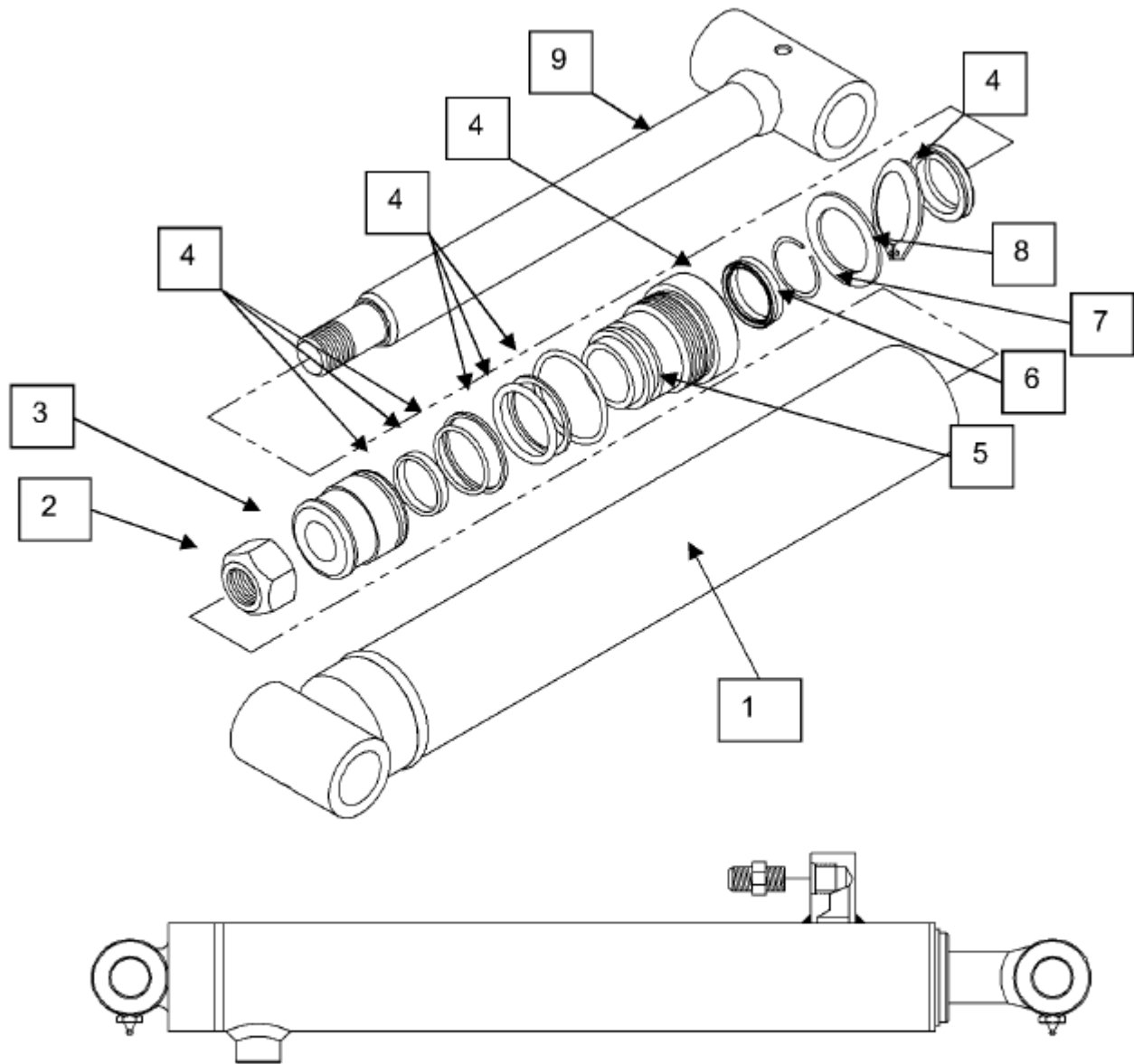




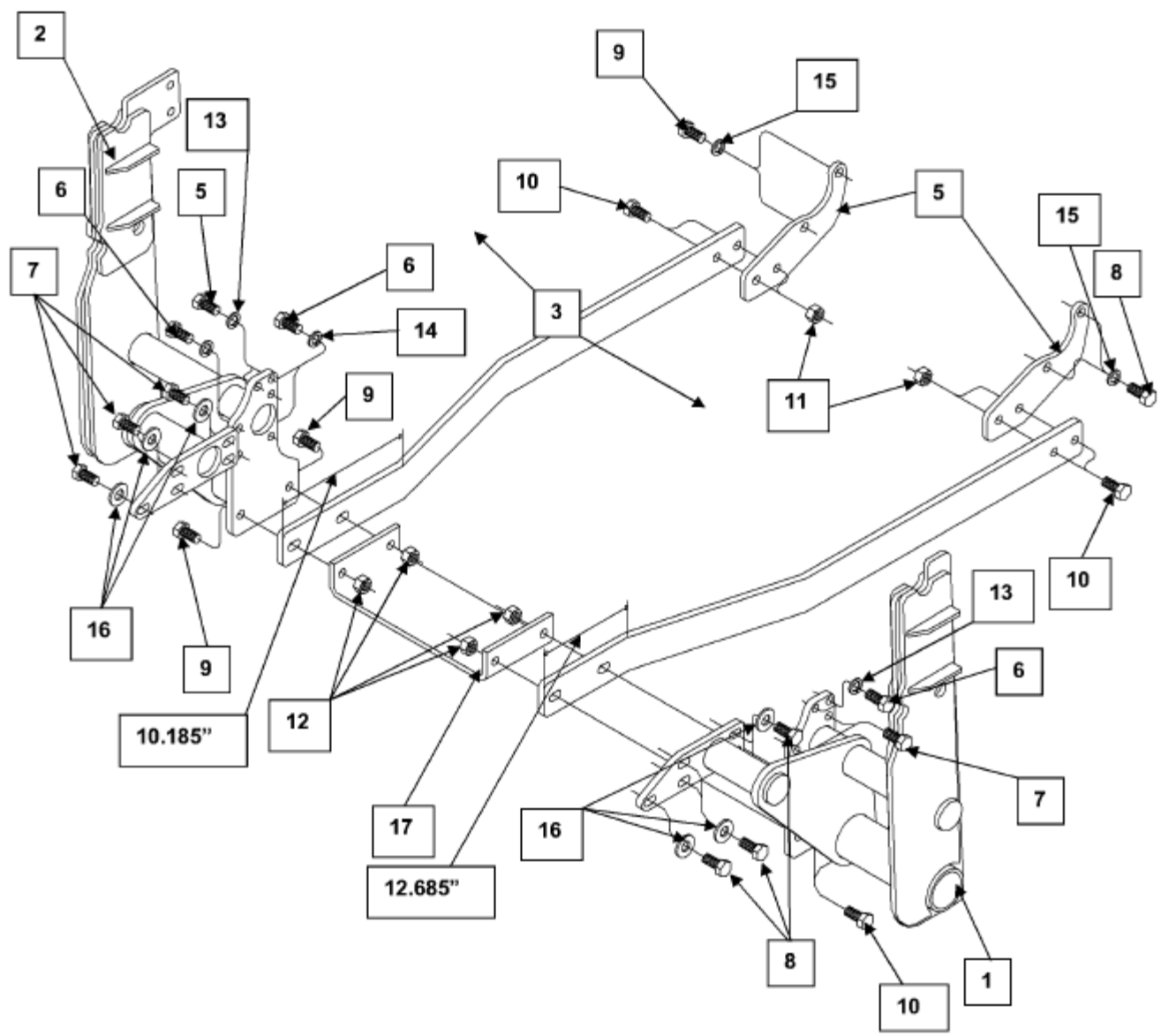


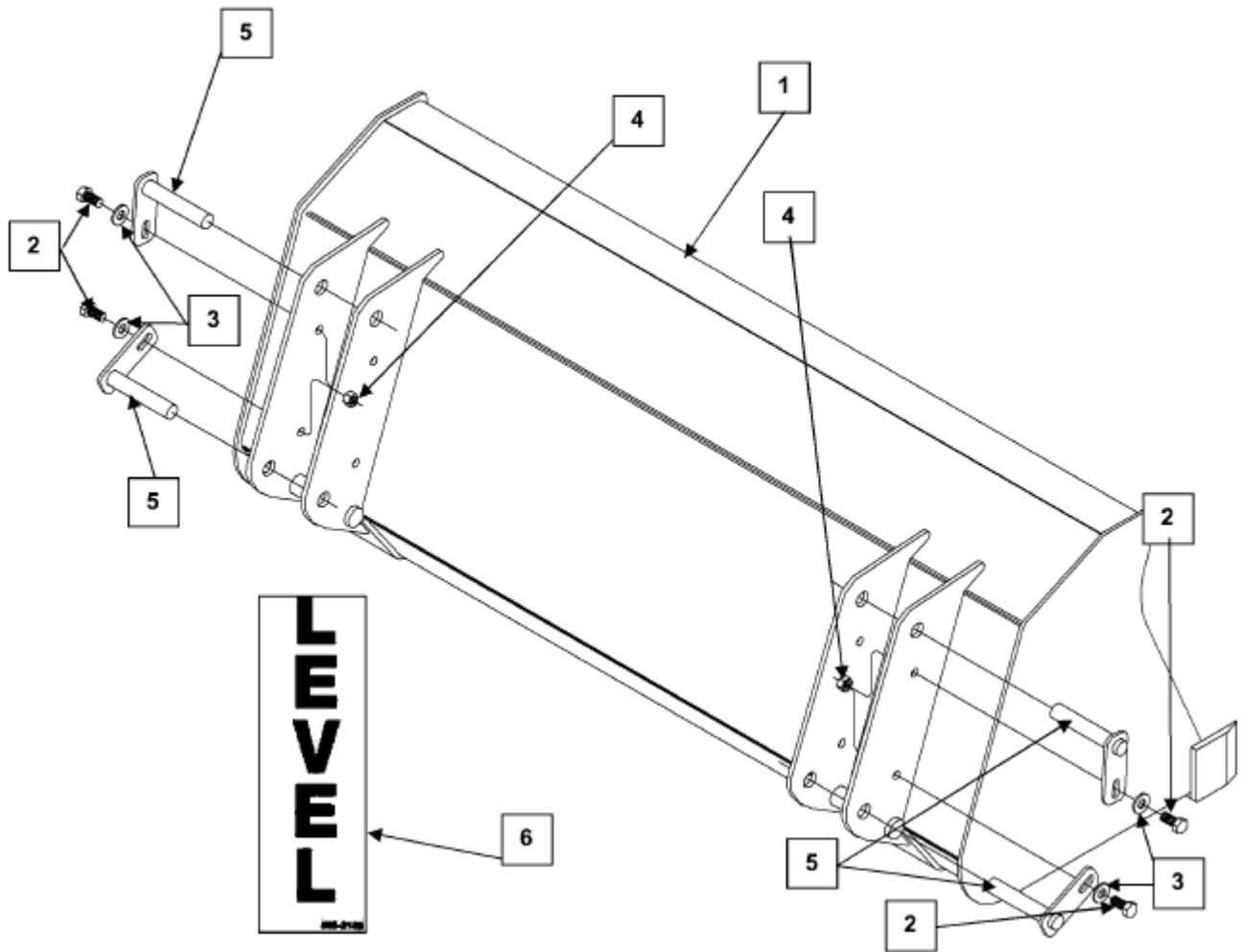


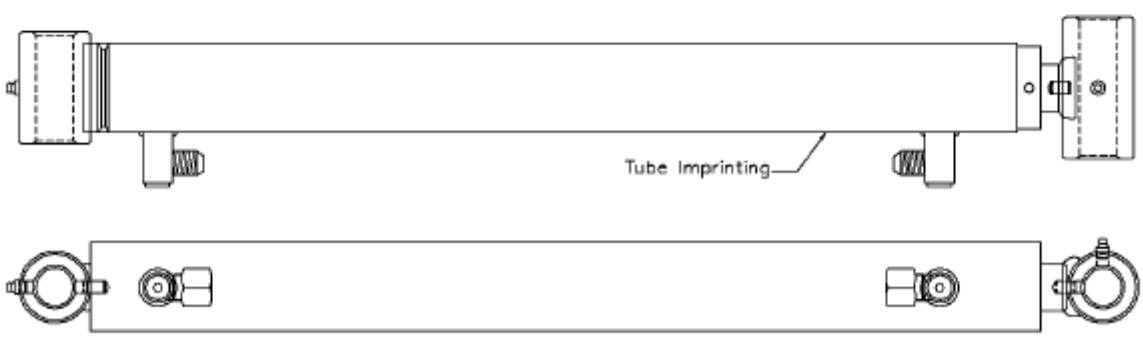
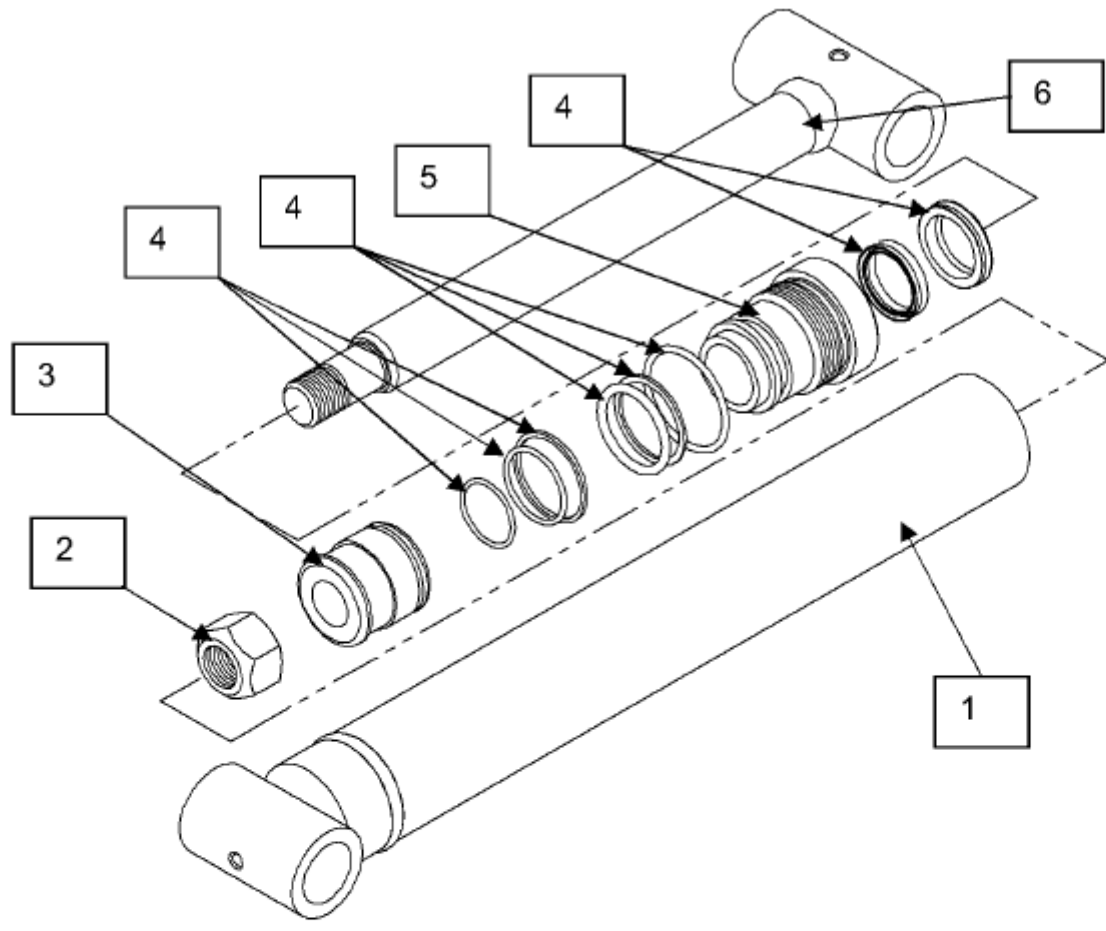
**Note: Check Part Number Stamped Onto Tube Of Cylinder Before Ordering Service Part**



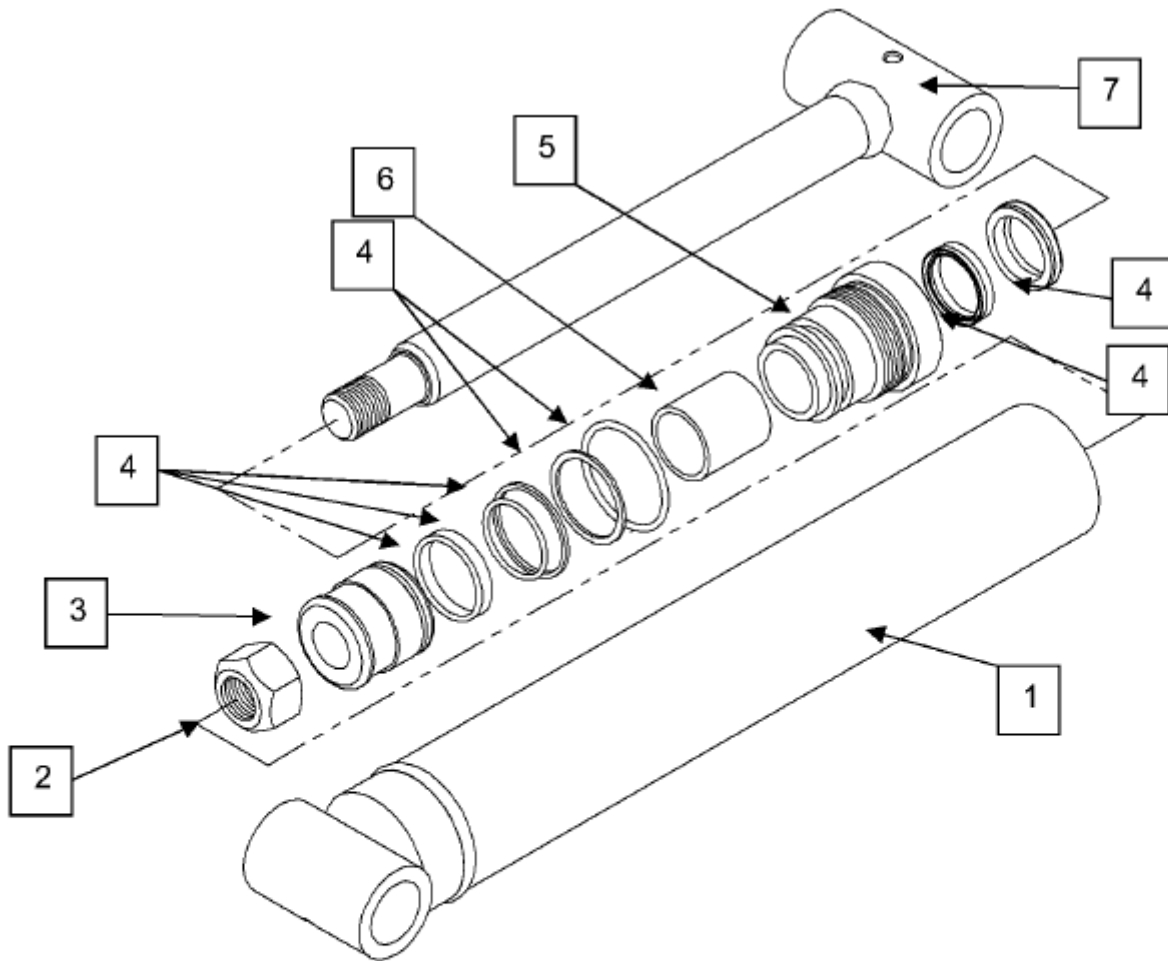
Note: Check Part Number Stamped Onto Tube Cylinder Before Ordering Service Parts







Note: Check Part Number Stamped Onto Tube Of Cylinder Before Ordering Service Parts



**Note: Check Part Number Stamped Onto Tube Of Cylinder Before Ordering Service Parts**