

# CHARGEUR ML120

## 21. PARTS MANUAL

### Illustrations

All parts are illustrated in "exploded views" which show the individual parts in their normal relationship to each other. Reference numbers are used in the illustrations. These numbers correspond to those in the "Reference Number" column and are followed by the quantity required and description.

### Directional Reference

Right hand (RH) and left hand (LH) sides are determined by standing at the rear of the unit and facing in the direction of forward travel.

### Parts Order

Orders must give the complete description, correct part number, the total amount required, the product model, all the necessary serial numbers, the method of shipment and the shipping address.

## 22. DECALS & MANUALS

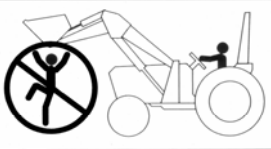
**⚠ WARNING**

1. Add recommended rear wheel ballast and/or rear counterweight for stability.
2. Move wheels to widest recommended setting to increase stability.
3. Move and turn tractor at low speeds.
4. In transport carry the load low.
5. Lower loader to the ground when parked.
6. Before servicing or adjusting equipment;
  - \* lower loader to the ground.
  - \* shut off engine.
7. Relieve hydraulic pressure before disconnecting oil lines.
8. Observe safety recommendations in Loader Operations Manual.

0595-3000

1      3

**⚠ WARNING**



**Crushing Hazard**

Stay away from under lift arms and bucket!

1. Do not stand or work under a raised loader.
2. Support bucket and lift arms before working under loader.
3. Lower loader to the ground before leaving seat.

0595-3001

2      4

**⚠ WARNING**

1. Read the operator's manual for complete operating instructions and safety information before operating the loader.
2. Be certain anyone operating the loader is aware of safe operating practices and potential hazards.
3. Operate the loader from the operator's seat only.
4. Do not lift or carry anyone on loader or work from bucket or attachment.
5. Do not walk or work under raised loader or bucket or attachment unless it is securely supported.
6. Avoid loose fill, rocks and holes; they can be dangerous for loader operation or movement.
7. Use extra caution when working on inclines.
8. Avoid overhead powerlines or obstacles when loader is raised.

0595-3004

5

**⚠ DANGER**



Keep machine clear of overhead power lines to avoid death or serious injury.

0595-3002

**⚠ WARNING**



To prevent rollback onto operator - use special loader attachments for handling large objects such as stumps and large round bales.

Transport load as low as possible to avoid overturning.

0595-3003

**Mahindra**

6

**⚠ CAUTION**

To prevent bodily injury and loader instability when detaching loader, equip loader with a material bucket or a manure fork.

0595-2190

7

8

**⚠ WARNING**

Do not operate without confirmation that coupler pins are fully engaged. Loader attachment can fall off if not properly attached.

To avoid serious injury or death:

- Only use loader manufacturer approved attachments.
- Read all operators manuals and decals before operating. Follow all safety, operating, and service instructions. Contact dealer for replacement parts.

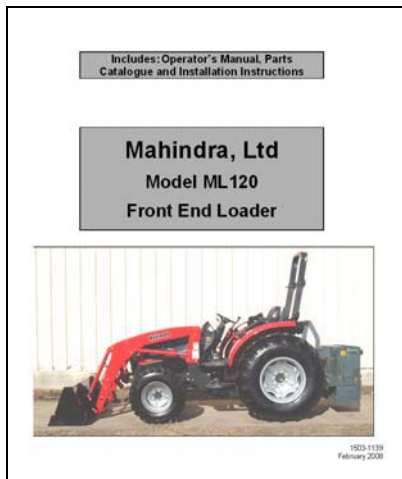
0595-3051

# DECALS & MANUALS

Reference	Description	Part No.	Qty.
1	Decal – Warning	0595-3000	1
2	Decal – Warning	0595-3001	1
3	Decal – Danger	0595-3002	1
4	Decal – Warning	0595-3003	1
5	Decal – Warning	0595-3004	1
6	Decal – Mahindra	0595-3101	2
7	Decal – Caution	0595-2190	1
8	Decal – Warning	0595-3051	1
9	Manual, Operator and Parts	1503-1139	1
10	Decal, ML120	0595-3127	2
11	Decal, Important	0595-3087	2

# ML120

10

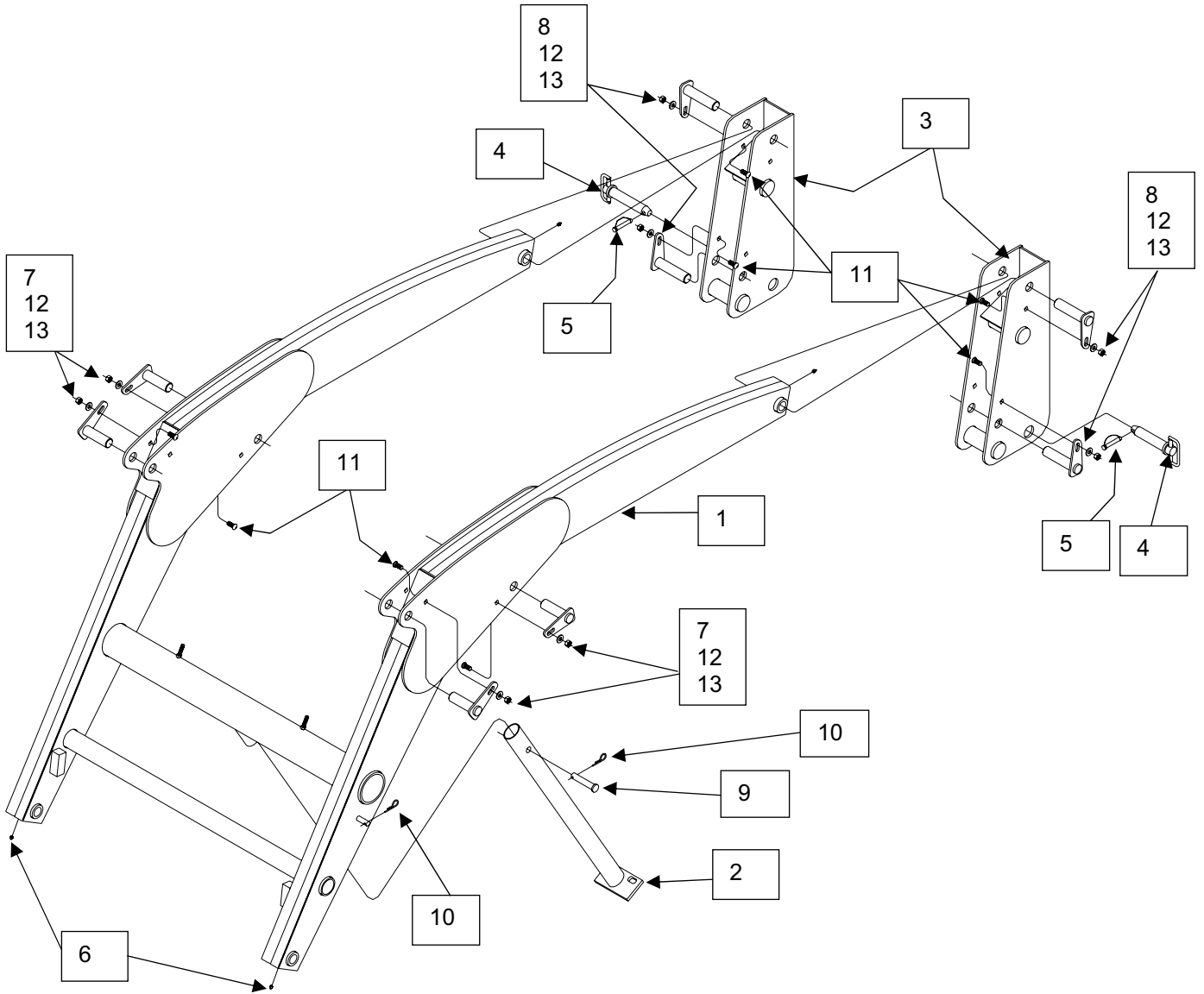


9

11



# 23. BOOM ASSEMBLY



# BOOM ASSEMBLY

Reference	Description	Part No.	Qty.
1	Boom Assembly	1100-3043	1
2	Parking Leg Assembly	1104-3059	1
3	Bearing Box, LH	1002-3132	2
4	Plated Pin Assembly	0551-3029	2
5	Lynch Pin	0553-4503	2
6	Grease Fitting Straight 1/4"-28	0530-1038	4
7	Pivot Pin 1" x 3-1/4"	0550-3072	4
8	Pivot Pin 1" x 4-3/8"	0550-3071	4
9	Clevis Pin	0551-1234	1
10	Hitch Pin Clip	0553-1000	2
11	Carriage Bolt 3/8"-16 x 1.25"	0546-1137	8
12	Hardened Flatwasher 3/8"	0540-2021	8
13	Stover Hex Locknut 3/8"-16	0546-1119	8
14	Decal Warning	0595-3000	1
15	Decal Warning	0595-3001	1
16	Decal Danger	0595-3002	1
17	Decal Warning	0595-3003	1
18	Decal Warning	0595-3004	1

*Loader Decal Locations LH Bearing Box*



0595-3003  
0595-3004

*Loader Decal Locations RH Bearing Box*



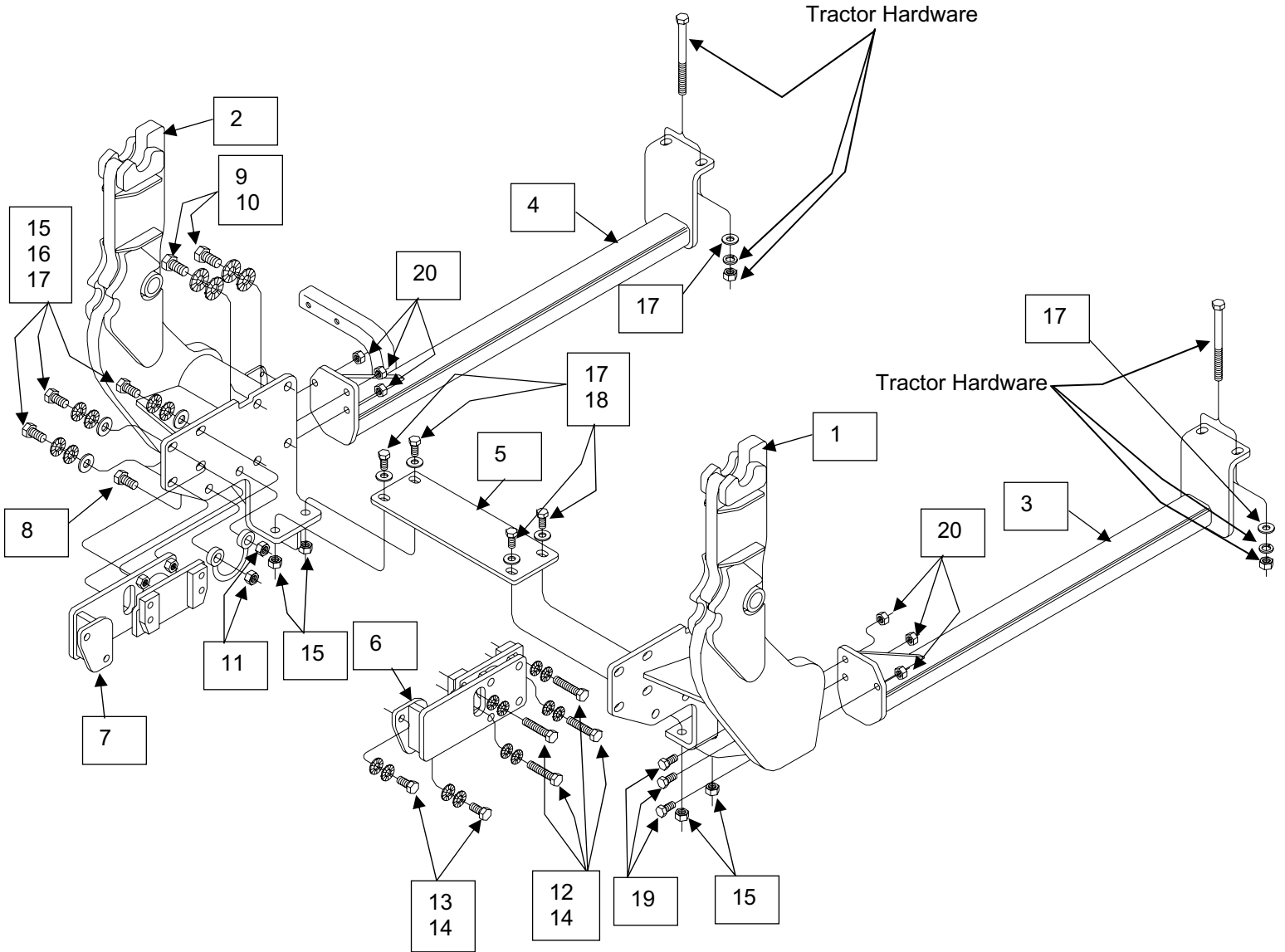
0595-3001  
0595-3000

*Loader Decal Locations Loader Crosstube*



0595-3002

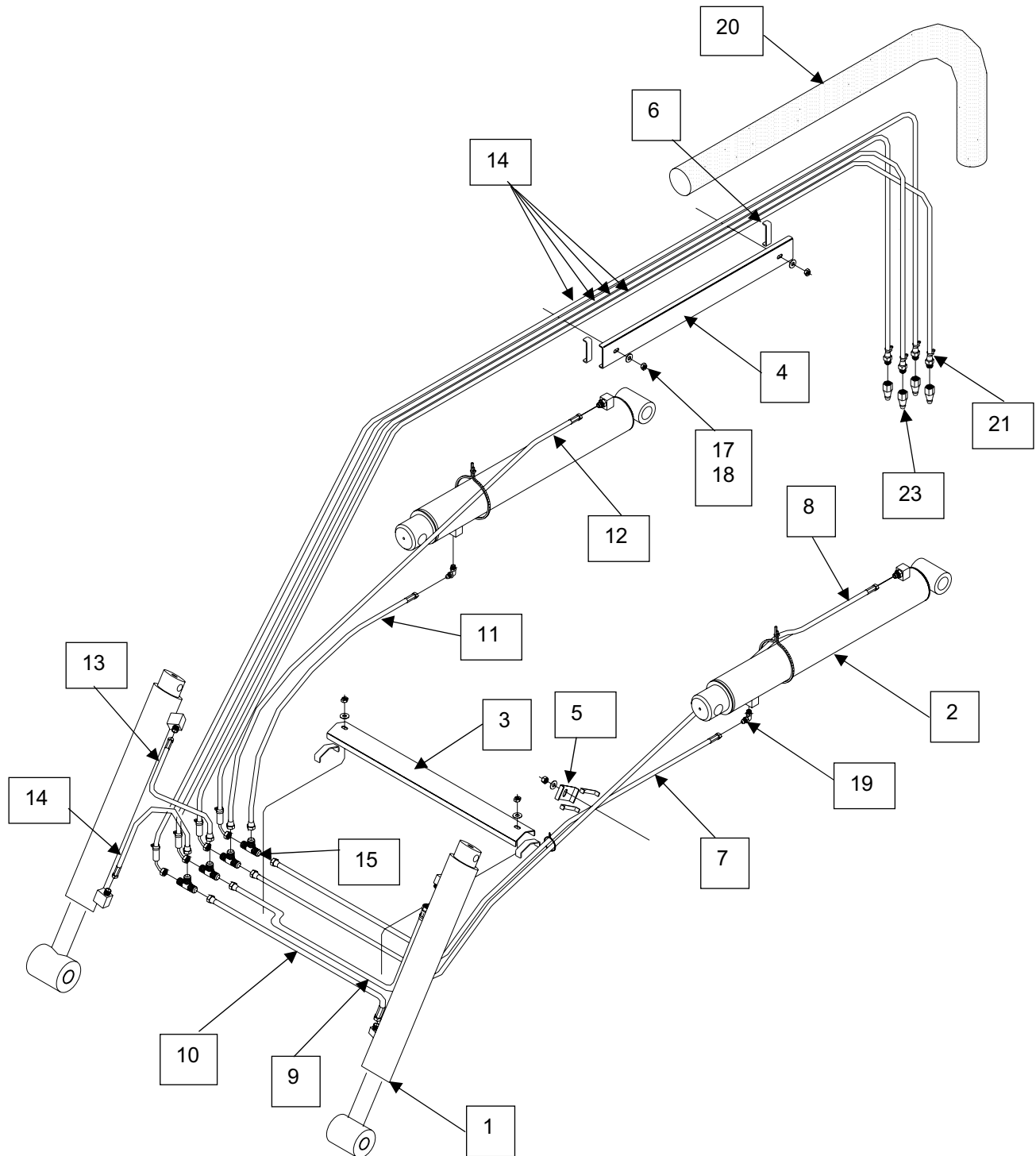
# 24. MOUNTING BRACKETS AND HARDWARE



# MOUNTING BRACKETS AND HARDWARE

Reference	Description	Part No.	Qty.
1	Center Bracket LH	1245-3516	1
2	Center Bracket RH	1245-3517	1
3	Rear Rail LH	1207-3110	1
4	Rear Rail RH	1207-3111	1
5	Cross Member	1209-3066	1
6	Spacer Assembly LH	1245-3602	1
7	Spacer Assembly RH	1245-3603	1
8	Hex Head Cap Screw 3/4"-10 x 2.0" Grade 8	0548-2230	4
9	Hex Head Cap Screw 3/4"-10 x 1.75" Grade 8	0548-2229	8
10	Disc-Lock Washer 3/4"	0540-2017	16
11	Stover Hex Locknut 3/4"-10	0546-1130	4
12	Hex Head Cap Screw 14-1.50 x 65mm Grade 10.9	0569-2401	8
13	Hex Head Cap Screw 14-2.0 x 35mm Grade 10.9	0569-2147	4
14	Disc-Lock Washer 9/16"	0540-2009	24
15	Hex Head Cap Screw 5/8"-12 x 2.0" Grade 8	0548-2166	18
16	Disc-Lock Washer 5/8"	0540-2020	16
17	Hardened Flatwasher 5/8"	0540-2004	18
18	Stover Hex Locknut 5/8"-12	0546-1134	10
19	Hex Head Cap Screw 1/2"-13 x 2.0" Grade 5	0545-2108	6
20	Stover Hex Locknut 1/2"-13	0546-1122	6

## 25. HYDRAULIC CYLINDERS AND HOSES

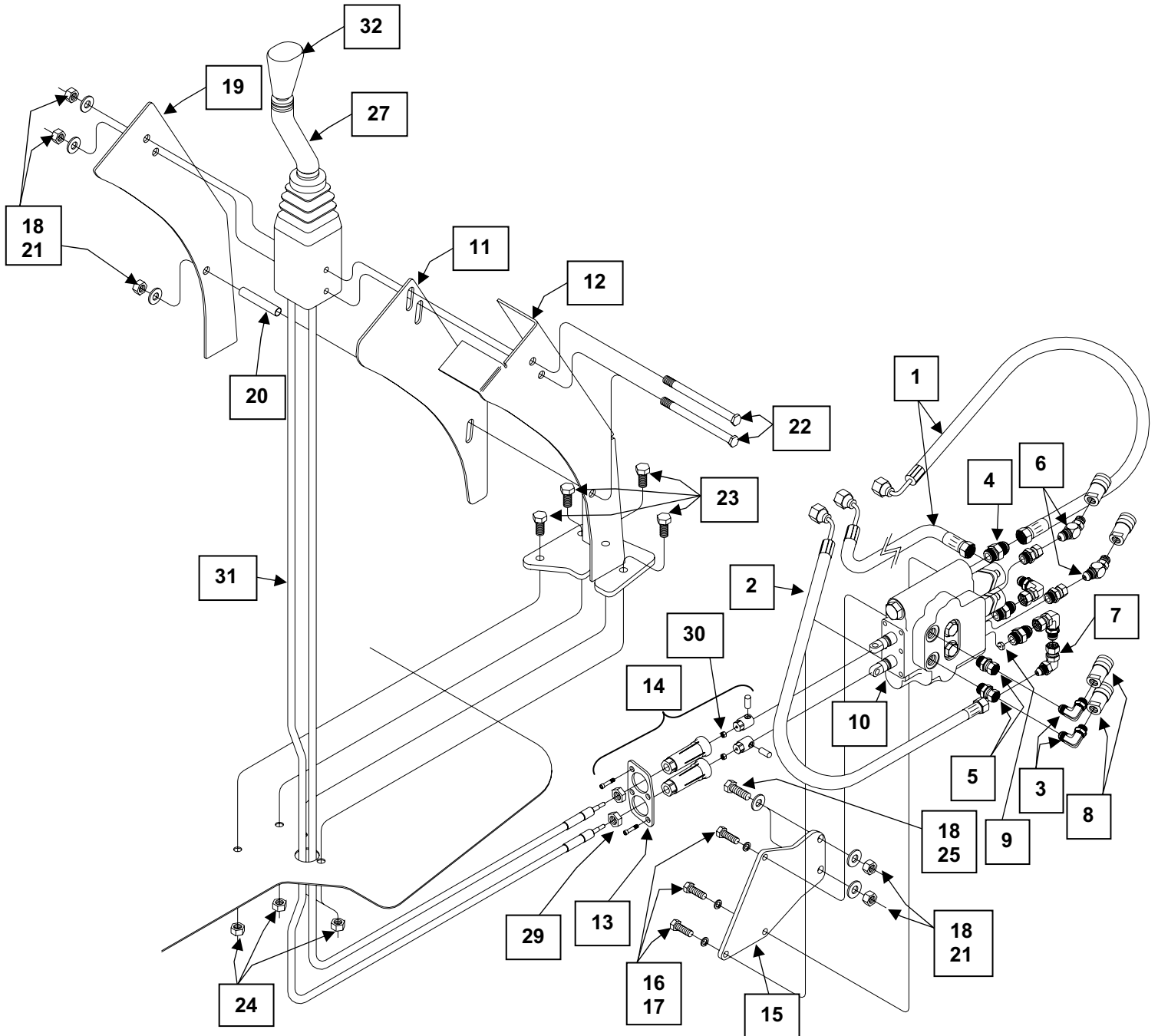


# HYDRAULIC CYLINDERS AND HOSES

Reference	Description	Part No.	Qty.
1	Cylinder, Tilt	3150-2106	2
2	Cylinder, Lift	3160-2076	2
3	Hose Cover	1212-2020	1
4	Top Hose Cover	1212-2019	1
5	Side Hose Cover	1212-2021	1
6	Sponge Rubber 3"	0554-2010	6
7	Hydraulic Hose Assembly 3/8" x 54" LHLCBE	0582-2508848054	1
8	Hydraulic Hose Assembly 3/8" x 75" LHLCRE	0582-2508848075	1
9	Hydraulic Hose Assembly 3/8" x 44" LHTCBE	0582-2508848044	1
10	Hydraulic Hose Assembly 3/8" x 46" LHTCRE	0582-2508848046	1
11	Hydraulic Hose Assembly 3/8" x 25" RHLCBE	0582-2508848025	1
12	Hydraulic Hose Assembly 3/8" x 45" RHLCRE	0582-2508848045	1
13	Hydraulic Hose Assembly 3/8" x 17" RHTCBE	0582-2508848017	1
14	Hydraulic Hose Assembly 3/8" x 22" RHTCRE	0582-2508848022	1
15	Hydraulic Hose Assembly 3/8" x 103" Tee to Quick Couplers	0582-2106888103	4
16	Fitting Tee	0586-4828-828	4
17	Flatwasher 5/16"	0543-2006	5
18	Stover Hex Nut 5/16"-18NC	0546-1121	5
19	Hydraulic Adapter	0586-3108-408	2
20	Hose Sock – 2.6" I.D. x 48"	0554-2030	1
21	Tie Strap Blue .14" x 5.5"	0554-2001	2
	Tie Strap Red .14" x 5.5"	0554-2002	2
	Tie Strap Yellow .14" x 5.5"	0554-2003	2
	Tie Strap Green .14" x 5.5"	0554-2004	2
22	Tie Strap Black 5/16" x 14"	0554-1013	4
23	Male Quick Coupler	0580-6202	4

**NOTE: See cylinder drawing for grease zerk information.**

## 26. HYDRAULIC VALVE AND HARDWARE



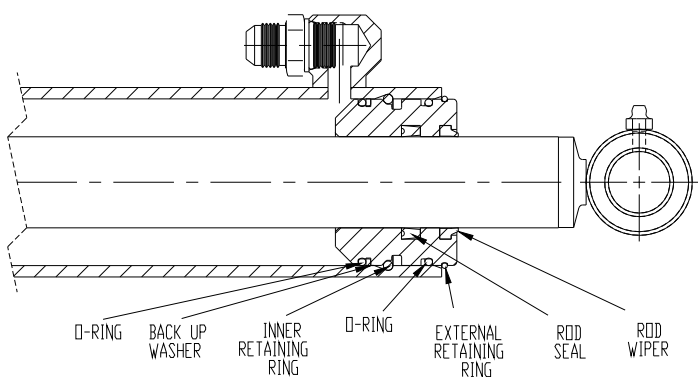
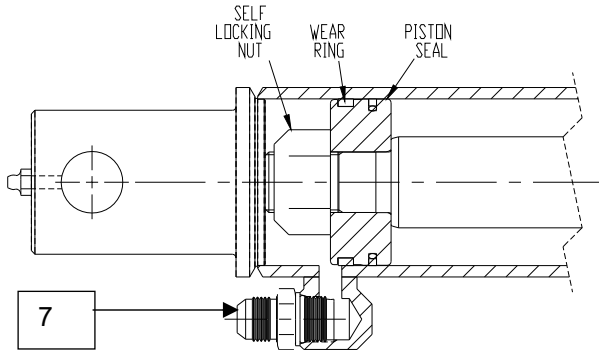
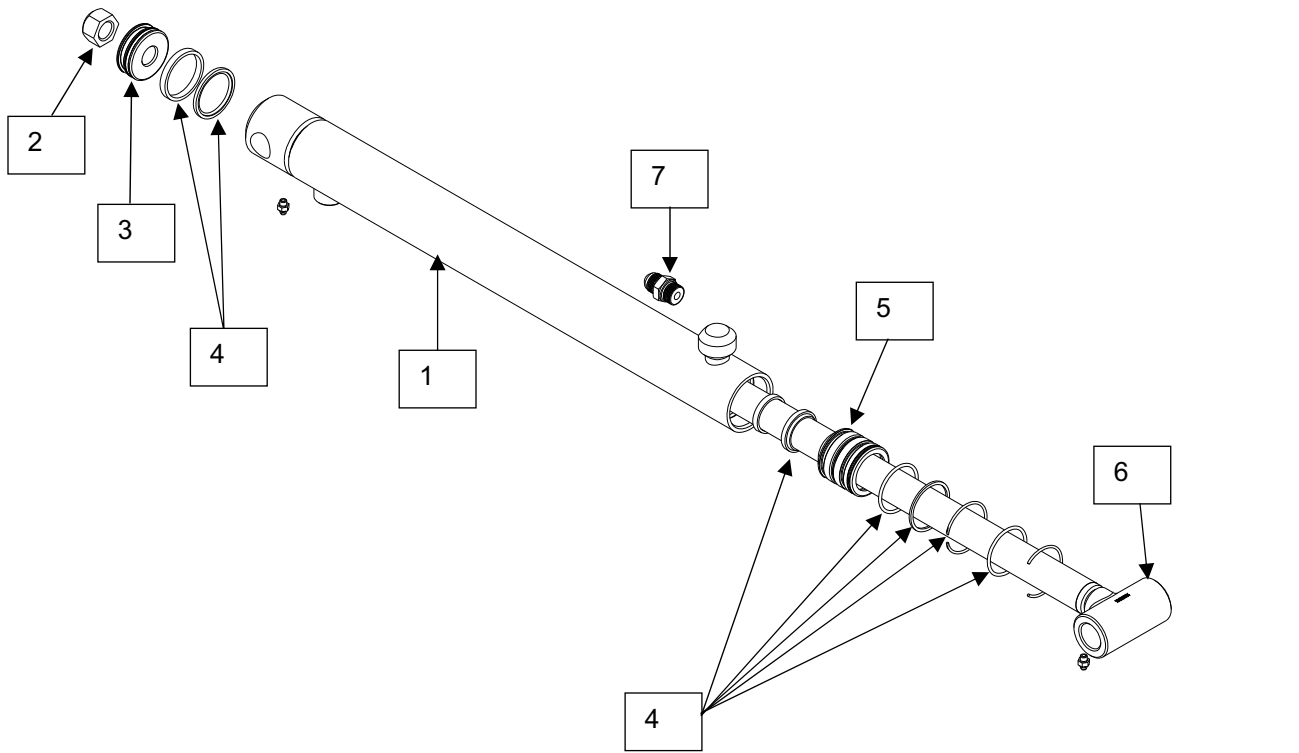
# HYDRAULIC VALVE AND HARDWARE

Reference	Description	Part No.	Qty.
1	Hydraulic Hose Assembly 3/8" x 22" 3/4" JICF x 3/4" JICF 90° "In" and "Out"	0582-2508808022	2
2	Hydraulic Hose Assembly 3/8" x 32" 3/4" JICF x 3/4" JICF 90° "PB"	0582-1508808032	1
3	Hydraulic Adapter 90° 9/16" ORBM x 9/16" JICM	0586-3106-406	2
4	Hydraulic Adapter Straight 3/4" ORBM x 3/4" JICM	0586-1108-408	3
5	Hydraulic Adapter Straight 9/16" ORBM x 9/16" JICF	0586-1106-506	4
6	Hydraulic Adapter 45° 9/16" ORBM x 9/16" JICM	0586-2106-406	2
7	Hydraulic Adapter 90° 3/4" JICF x 3/4" JICM	0586-3408-508	3
8	Quick Coupler Female	0580-6203	4
9	Orifice Plate .116" ID	0580-6307	1
10	Hydraulic Control Valve	0580-6311	1
11	Spacer Plate	1204-3160	1
12	Single handle controller Mount	1204-3147	1
13	Dual Flange	1408-3010	1
14	Cable Adapter Kit	1408-3032	1
15	Valve Mount	1204-3146	1
16	Hex Head Cap Screw 5/16"-18 x .625"	0545-2023	3
17	Lockwasher 5/16"	0544-2009	3
18	Flatwasher 5/16"	0543-2006	5
19	Cover Plate	1204-3151	1
20	Spacer	1204-3150	1
21	Stover hex Locknut 5/16"-18	0546-1121	5
22	Hex Head Cap Screw 5/16"-18 x 3.5"	0545-2036	3
23	Hex Head Cap Screw 3/8"-16 x 1.25"	0545-2052	4
24	Stover hex Locknut 3/8"-16	0546-1119	4
25	Hex Head Cap Screw 5/16"-18 x 1.25"	0545-2027	2
26	Tie Strap Blue .14" x 5.5"	0554-2001	2
	Tie Strap Red .14" x 5.5"	0554-2002	2
	Tie Strap Yellow .14" x 5.5"	0554-2003	2
	Tie Strap Green .14" x 5.5"	0554-2004	2
27	Single handle controller (Complete)	1408-3025	1
28	Tie Strap Black 5/16" x 14"	0554-1013	5
29	Jam Nut M16-1.5	0559-2016	2
30	Jam Nut M6-1	0559-2002	2
31	Control Cable 1000mm	1408-3041	2
32	Knob	1409-3170	1

# 27. LIFT CYLINDER

2.0" x 1.25" Rod x 31.25" Ret. x 50.38" Ext.

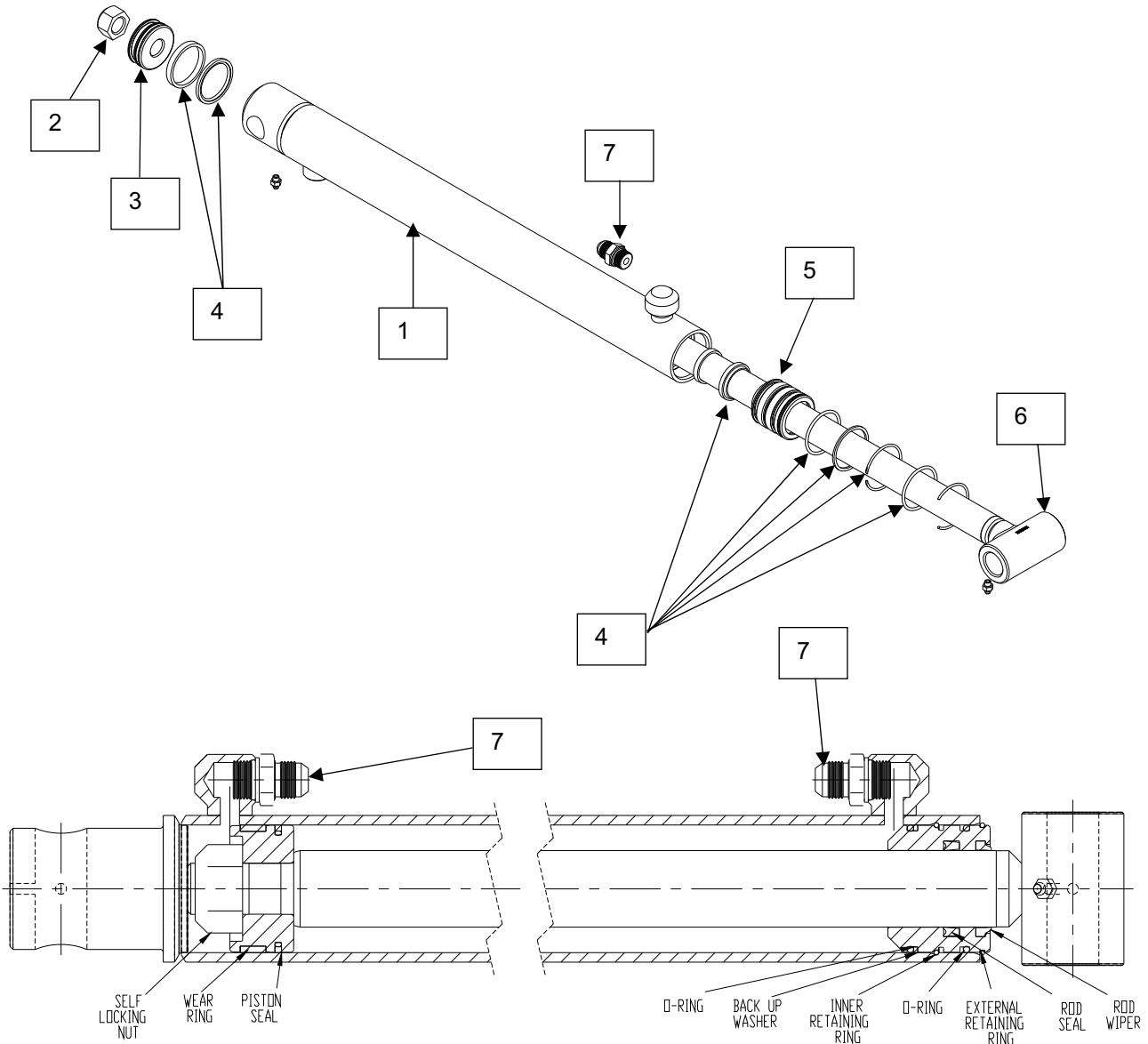
Reference	Description	Part No.	Qty.
0	Lift Cylinder (complete)	3160-2076	1
1	Tube Assembly	0100-2126	1
2	Nut	0530-2020	1
3	Piston	0405-2041	1
4	Seal Kit	0590-2082	1
5	Head	0330-2046	1
6	Rod Assembly	0200-2116	1
	Grease Fitting Straight	0530-1038	2
7	Hydraulic Adapter	0586-1108-408	2



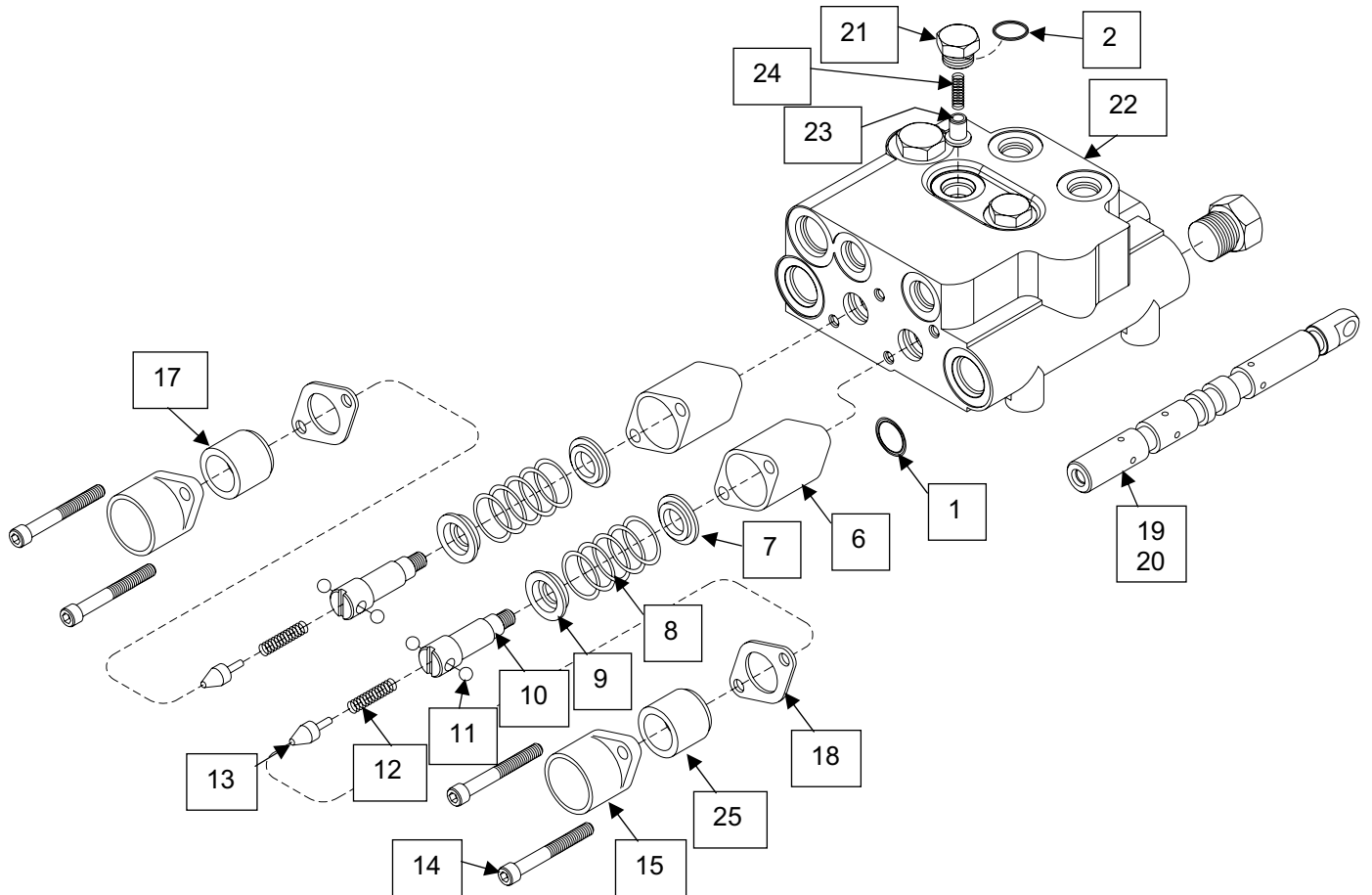
# 28. TILT CYLINDER

2.0" x 1.25" Rod x 27.38" Ret. x 48.07" Ext.

Reference	Description	Part No.	Qty.
0	Tilt Cylinder (complete)	3150-2106	1
1	Tube Assembly	0100-2127	1
2	Nut	0530-2020	1
3	Piston	0405-2041	1
4	Seal Kit	0590-2082	1
5	Head	0330-2045	1
6	Rod Assembly	0200-2117	1
	Grease Fitting Straight	0530-1038	2
7	Hydraulic Adapter	0586-1108-408	2



## 29. LOADER VALVE



Reference	Description	Part No.	Qty.
<b>Seal Kit Complete (contains all of the following :)</b> .....			<b>0580-6347</b> ..... 1
1	O-Ring (Spool/Casting Seal).....	SK.....	4
2	O-Ring (Load Check Seal).....	SK.....	1
<b>Spool End Float Kit Complete (contains all of the following :)</b> .....			<b>0580-6351</b> ..... 1
6	Spacer .....	NSS .....	1
7	Stop Cup .....	NSS .....	1
8	Spring .....	NSS .....	1
9	Washer .....	NSS .....	1
10	Detent Retainer .....	NSS .....	1
11	Steel Ball .....	NSS .....	2
12	Spring .....	NSS .....	1
13	Poppet.....	NSS .....	1
14	Cap Screw.....	NSS .....	2
15	End Cap .....	NSS .....	1
17	Float Detent Sleeve.....	NSS .....	1
18	Retainer.....	NSS .....	1

<b>Spool End Regen Kit Complete (contains all of the following :)</b> .....	<b>0580-6352</b> .....	<b>1</b>
6..... Spacer .....	NSS .....	1
7..... Stop Cup .....	NSS .....	1
8..... Spring .....	NSS .....	1
9..... Washer .....	NSS .....	1
10..... Detent Retainer .....	NSS .....	1
11..... Steel Ball .....	NSS .....	2
12..... Spring .....	NSS .....	1
13..... Poppet .....	NSS .....	1
14..... Cap Screw .....	NSS .....	2
15..... End Cap .....	NSS .....	1
25..... Regen Sleeve .....	NSS .....	1
18..... Retainer .....	NSS .....	1

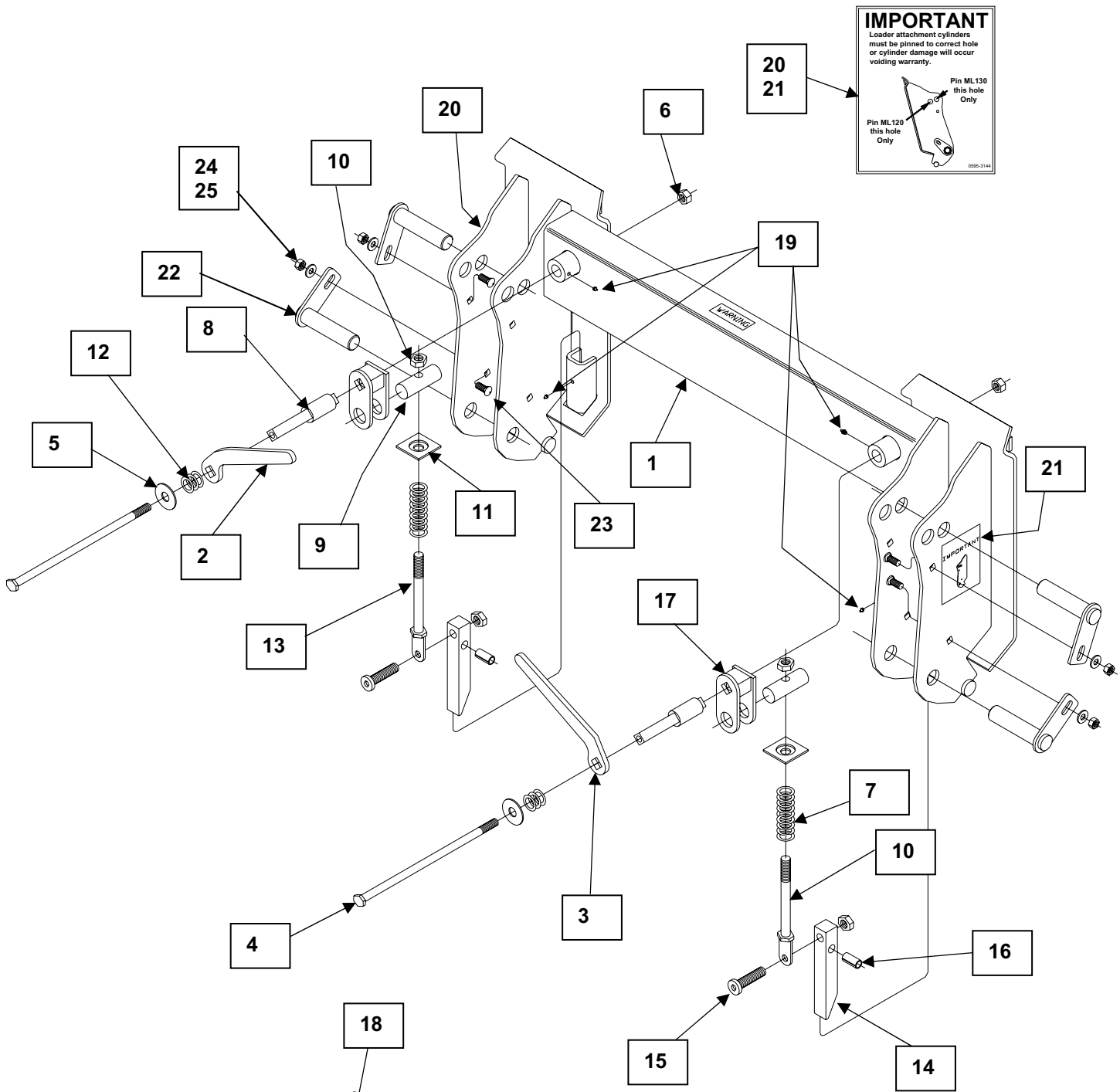
**Valve Body**

19..... Spool, Regen.....	NSS .....	1
20..... Spool, Float .....	NSS .....	1
21..... L/C Plug Assembly .....	0580-6099 .....	1
22..... Valve Body .....	NSS .....	1
23..... L/C Poppet .....	0580-6097 .....	1
24..... L/C Spring .....	0580-6098 .....	1

NSS – Not Servicable Seperately

SK -- Seal Kit

# 30. SKID STEER TOOL CARRIER ATTACHMENT



**IMPORTANT**  
 Loader attachment cylinders must be pinned to correct hole or cylinder damage will occur voiding warranty.

Pin ML130 this hole Only

Pin ML120 this hole Only

0595-3144

**WARNING**

Do not operate without confirmation that coupler pins are fully engaged. Loader attachment can fall off if not properly attached. To avoid serious injury or death:

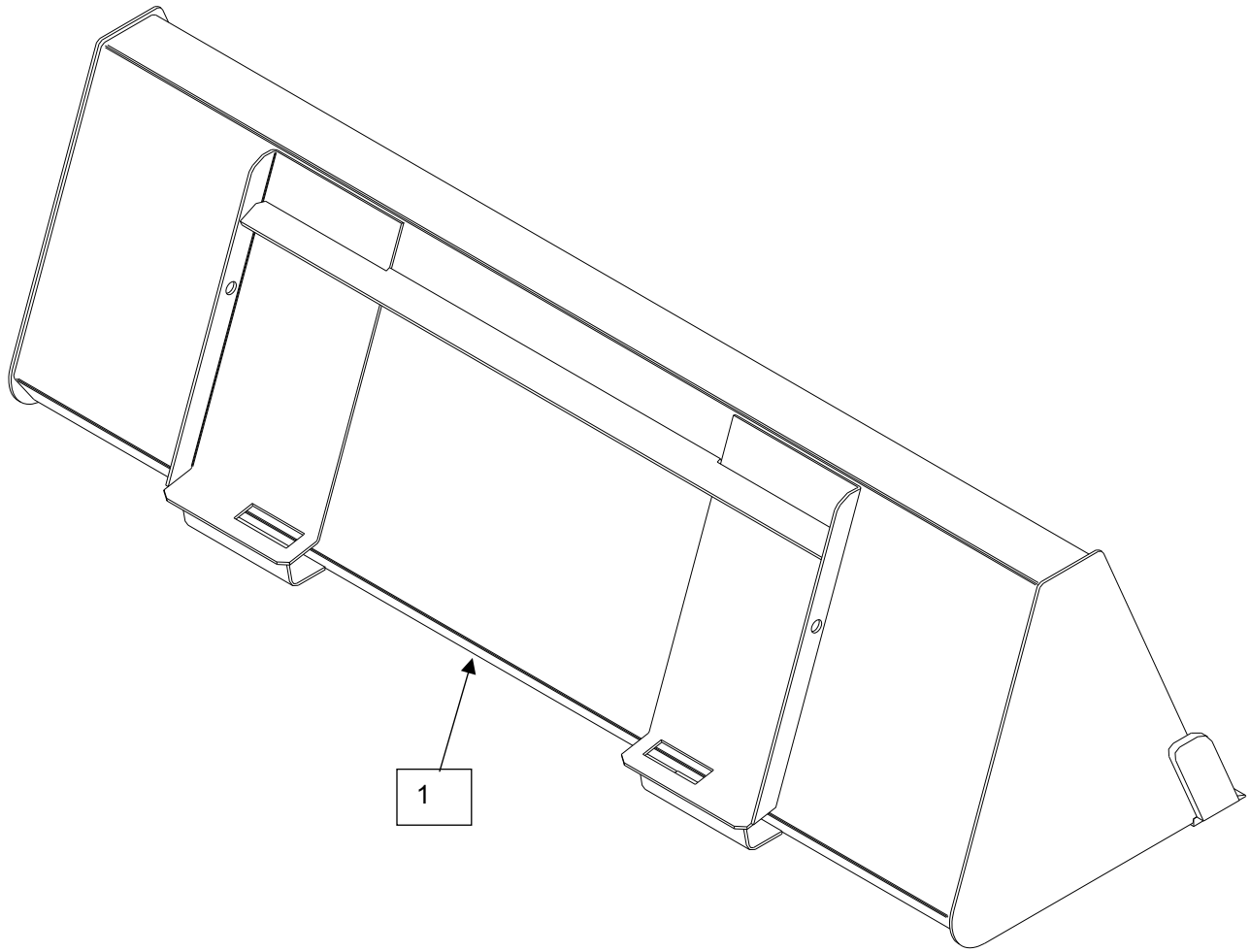
- Only use loader manufacturer approved attachments.
- Read all operators manuals and decals before operating. Follow all safety, operating, and service instructions. Contact dealer for replacement parts.

0595-3051

# SKID STEER TOOL CARRIER ATTACHMENT

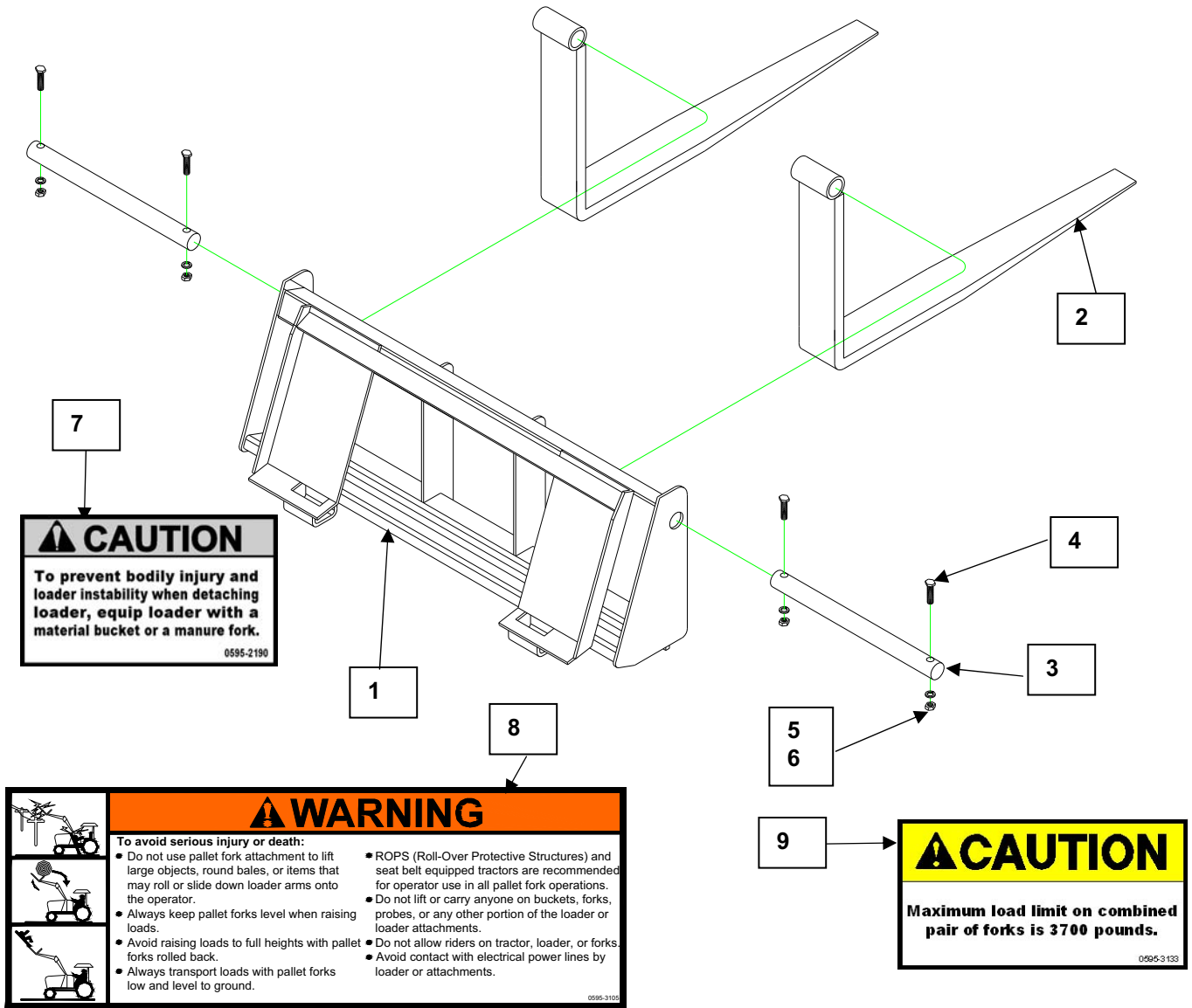
Reference	Description	Part No.	Qty.
0.....	Skid Steer Tool Carrier Attachment (complete).....	1304-3164.....	1
1.....	Skid Steer Tool Carrier Frame.....	1304-3165.....	1
2.....	Handle, LH.....	1304-3060.....	1
3.....	Handle, RH.....	1304-3061.....	1
4.....	Hex Head Cap Screw 5/16"-18NC x 5-1/2".....	0545-2044.....	2
5.....	Flat Washer 5/16".....	0540-2001.....	2
6.....	Hex Lock Nut – Nylock 5/16"-18NC.....	0555-2133.....	2
7.....	Compression Spring.....	0565-2003.....	2
8.....	Pivot Pin.....	1304-3067.....	2
9.....	Pivot Pin.....	1304-3041.....	2
10.....	Hex Lock Nut – Dimpled 1/2"-13NC.....	0555-2136.....	4
11.....	Stop Assembly.....	1304-3045.....	2
12.....	Compression Spring.....	0565-2004.....	2
13.....	Rod Assembly.....	1304-3068.....	2
14.....	Locking Pin.....	1304-3066.....	2
15.....	Socket Head Shoulder Bolt 3/8".....	0546-1102.....	2
16.....	Roll Pin 5/16" x 1-3/4".....	0561-3277.....	2
17.....	Pivot Assembly.....	1304-3070.....	2
18.....	Decal Warning.....	0595-3051.....	1
19.....	Grease Zerk 1/4"-28.....	0530-1038.....	4
20.....	Decal Important, LH.....	0595-3144.....	1
21.....	Decal Important, RH.....	0595-3145.....	1
22.....	Pivot Pin 4.11".....	0551-3073.....	4
23.....	Carriage Bolt 3/8"-16 x 1.25".....	0546-1137.....	4
24.....	Hardened Flatwasher 3/8".....	0540-2021.....	4
25.....	Stover Hex Locknut 3/8"-16.....	0546-1119.....	4

# 31. SKID STEER BUCKET



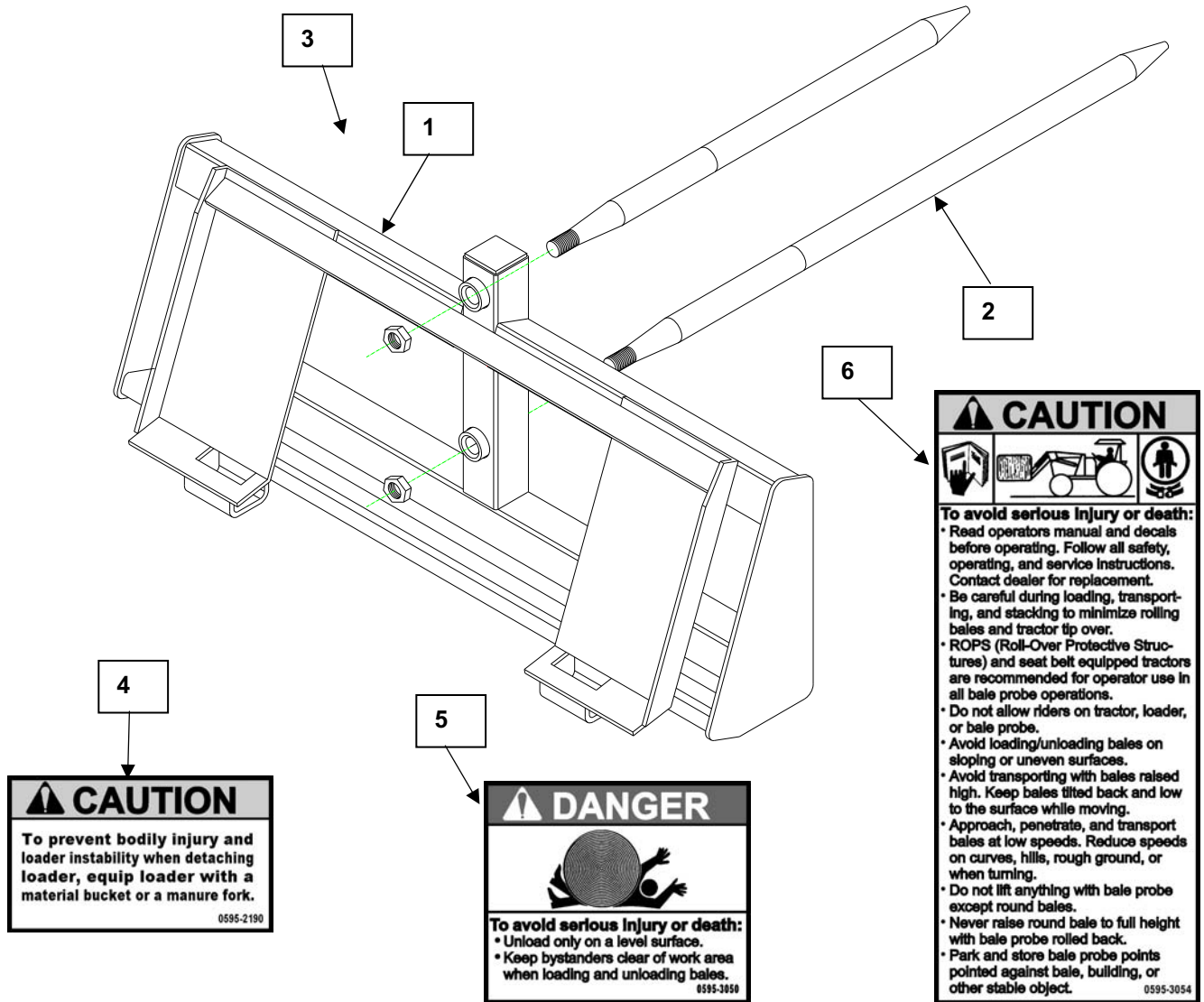
Reference	Description	Part No.	Qty.
1	Skid Steer Bucket 72"	1300-3605	1

# 32. SKID STEER PALLET FORK



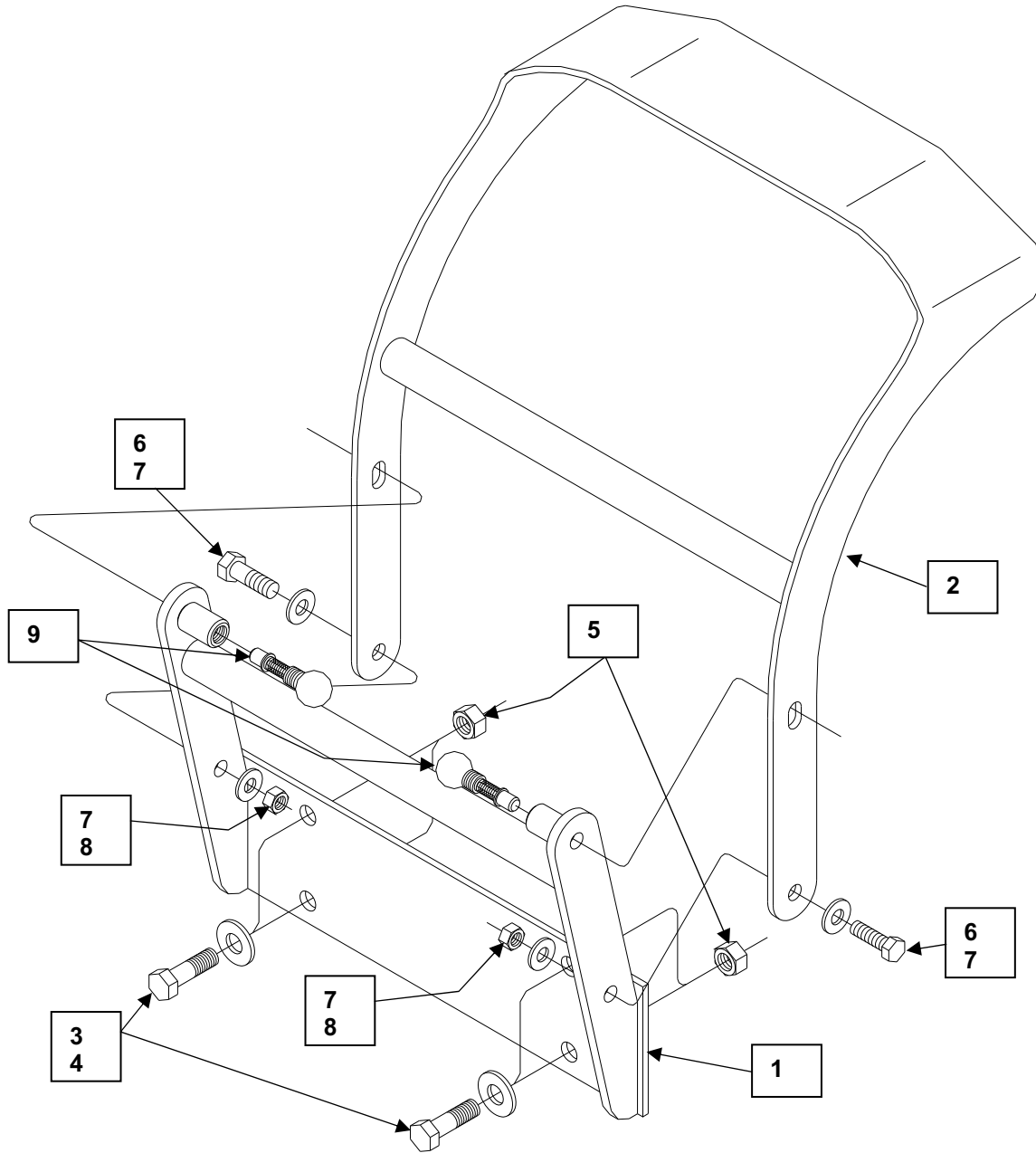
Reference	Description	Part No.	Qty.
0	Skid Steer Pallet Fork (complete)	1302-2033	1
1	Pallet Fork Frame	1302-2040	1
2	Pallet Fork 42"	1302-2016	2
3	Shaft	1302-2010	2
4	Hex Head Cap Screw 3/8"-16NC x 2-1/2"	0545-2057	4
5	Lockwasher 3/8"	0544-2010	4
6	Hex Nut 3/8"-16NC	0555-2002	4
7	Decal Caution	0595-2190	1
8	Decal Warning	0595-3105	1
9	Decal Caution	0595-3133	1

### 33. SKID STEER BALE SPEAR



Reference	Description	Part No.	Qty.
0.....	Skid Steer Bale Spear .....	1305-2023 .....	1
1.....	Bale Spear Frame .....	1305-2024 .....	1
2.....	Tine Assembly w/ nut, 1250 mm .....	1305-2013 .....	1
3.....	Tine Assembly w/ nut, 900 mm .....	1305-2012 .....	1
4.....	Decal Caution.....	0595-2190 .....	1
5.....	Decal Danger .....	0595-3050 .....	1
6.....	Decal Danger .....	0595-3054 .....	1

## 34. OPTIONAL GRILL GUARD



Reference	Description	Part No.	Qty.
1.....	Grill Guard Assembly .....	1008-3201 .....	1
2.....	Headlight Protector Assembly .....	1008-3221 .....	1
3.....	Hex Head Cap Screw 5/8"-12 x 2.0" Gr. 8 .....	0548-2166 .....	4
4.....	Hardened Flatwasher 5/8" .....	0540-2004 .....	4
5.....	Stover Hex Locknut 5/8"-12 .....	0546-1134 .....	4
6.....	Hex Head Cap Screw 1/2"-13 x 2.0" Gr. 5 .....	0545-2108 .....	2
7.....	Hardened Flatwasher 1/2" .....	0540-2003 .....	4
8.....	Stover Hex Locknut 1/2"-13 .....	0546-1122 .....	2
9.....	Locking Spring Pull Pin .....	0551-3077 .....	2